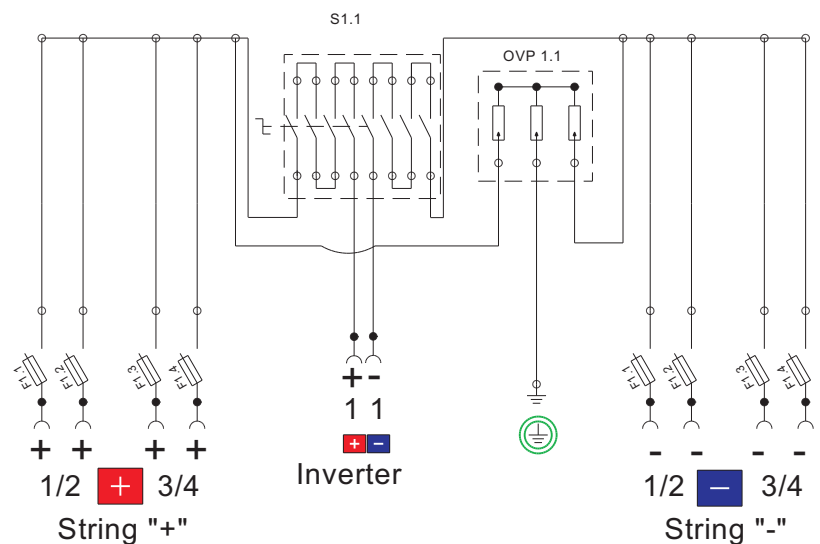
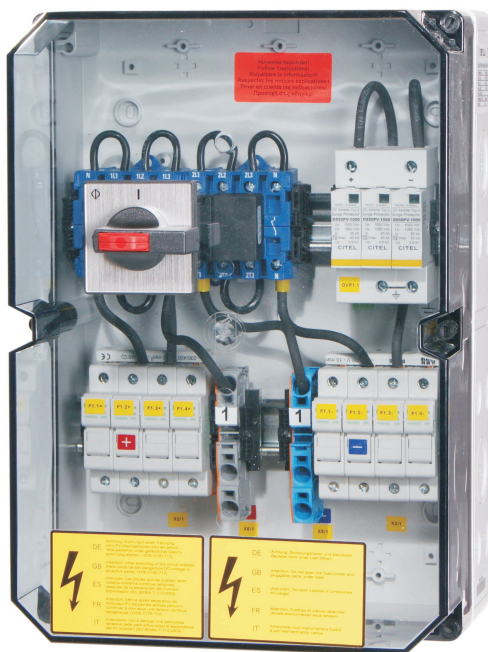


## DC-combiner boxes

Typ: S-1000-(2x)4Sx-T40-Y-PC-4.0

Artikel-Nr. 20001020

|   |                           |                                 |                                 |
|---|---------------------------|---------------------------------|---------------------------------|
| max. U <sub>oc</sub>                    | 1000VDC                   | connection-IN                   | screw terminal 10 <sup>2</sup>  |
| max. U <sub>mpp</sub> (U <sub>e</sub> ) | 900VDC                    | connection-OUT                  | push-wire clamp 16 <sup>2</sup> |
| max. I <sub>sc</sub> (string)           | 8,5A                      | string-fuses*                   | 10x38mm                         |
| max. I <sub>sc</sub> (Σ)                | 40A                       | string-diodes                   | -                               |
| strings                                 | 4                         | string-monitor                  | -                               |
| Multi-MPP                               | -                         | enclosure                       | IP65; polycarbonate             |
| circuit-breaker                         | -                         | dimension (WxHxD)               | 254x360x165mm                   |
| overvoltage protection                  | C                         | cable entry                     | DIN-cable glands                |
| protection class                        | II, protection insulation | *fuses not included in delivery |                                 |



### enwi-etec GmbH

Scherrwies 2  
84329 Rogglfing  
Germany

Phone +49 8725 9664-0  
Fax +49 8725 9664-96  
info@enwi-etec.com  
www.enwi-etec.com

### Branch Office France

58 Avenue de Wagram  
75017 Paris  
France

Phone +33 786 638126  
Fax +33 957 257249  
info@enwi-etec.com  
www.enwi-etec.com

