

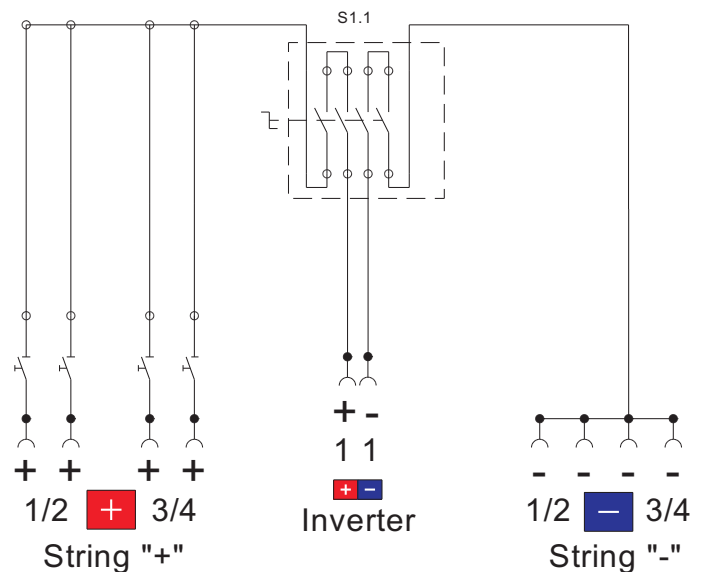
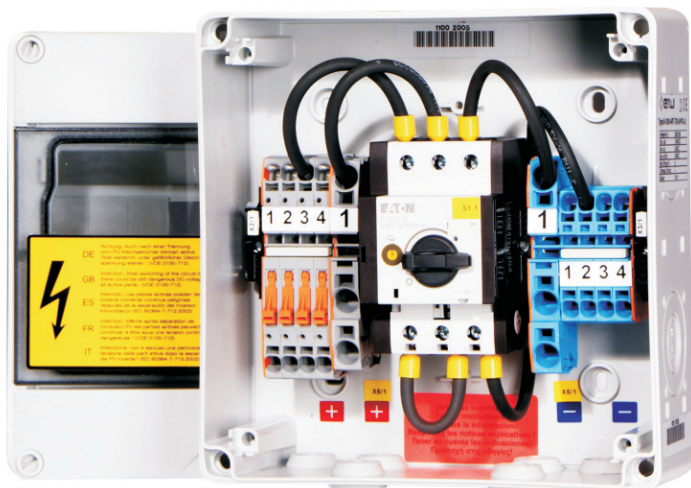


## DC-combiner boxes

Typ: S-1000-4RT-T30-X-PC-4.0

Artikel-Nr. 20001009

max. U <sub>oc</sub>	1000VDC	connection-IN	push-wire clamp 6 <sup>2</sup>
max. U <sub>mpp</sub> (U <sub>e</sub> )	1000VDC	connection-OUT	push-wire clamp 16 <sup>2</sup>
max. I <sub>sc</sub> (string)	30A	string-fuses	-
max. I <sub>sc</sub> (Σ)	30A	string-diodes	-
strings	4	string-monitor	-
Multi-MPP	-	enclosure	IP65; polycarbonate
circuit-breaker	DC21-A	dimension (WxHxD)	200x200x122mm
overvoltage protection	-	cable entry	DIN-cable glands
protection class	II, protection insulation		



### enwi-etec GmbH

Scherrwies 2  
84329 Rogglfing  
Germany

Phone +49 8725 9664-0  
Fax +49 8725 9664-96  
info@enwi-etec.com  
www.enwi-etec.com

### Branch Office France

58 Avenue de Wagram  
75017 Paris  
France

Phone +33 786 638126  
Fax +33 957 257249  
info@enwi-etec.com  
www.enwi-etec.com

*engineering with innovations*

