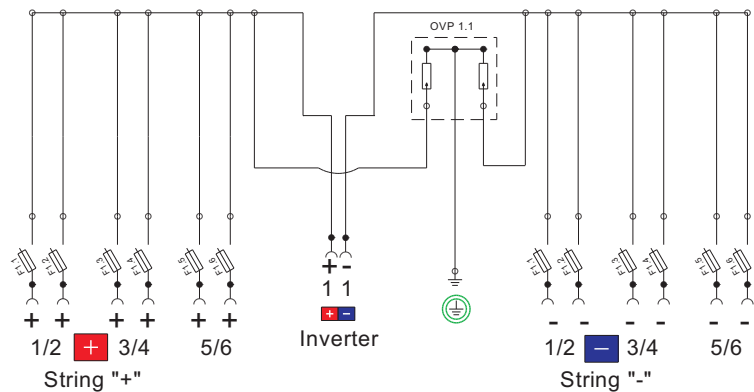
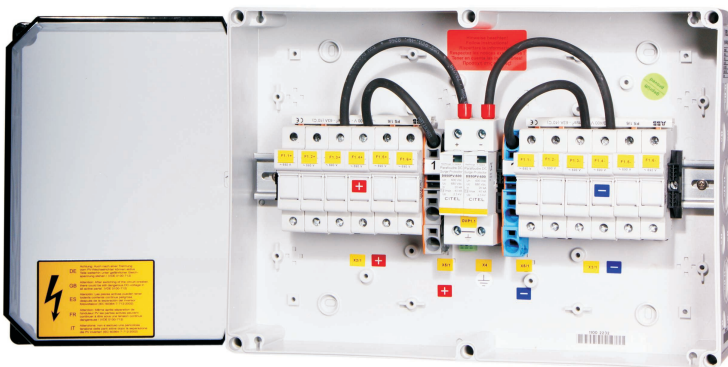


## DC-combiner boxes

Typ: S-600-(2x)6Sx-X-M-PC-4.0

Artikel-Nr. 20001025

max. U <sub>oc</sub>	600VDC	connection-IN	screw terminal 10 <sup>2</sup>
max. U <sub>mpp</sub> (U <sub>e</sub> )	-	connection-OUT	push-wire clamp 16 <sup>2</sup>
max. I <sub>sc</sub> (string)	8,5A	string-fuses*	10x38mm
max. I <sub>sc</sub> (Σ)	40A	string-diodes	-
strings	6	string-monitor	-
Multi-MPP	-	enclosure	IP65; polycarbonate
circuit-breaker	-	dimension (WxHxD)	360x254x165mm
overvoltage protection	C	cable entry	DIN-cable glands
protection class	II, protection insulation	*fuses not included in delivery	



### enwi-etec GmbH

Scherrwies 2  
84329 Rogglfing  
Germany

Phone +49 8725 9664-0  
Fax +49 8725 9664-96  
info@enwi-etec.com  
www.enwi-etec.com

### Branch Office France

58 Avenue de Wagram  
75017 Paris  
France

Phone +33 786 638126  
Fax +33 957 257249  
info@enwi-etec.com  
www.enwi-etec.com

