

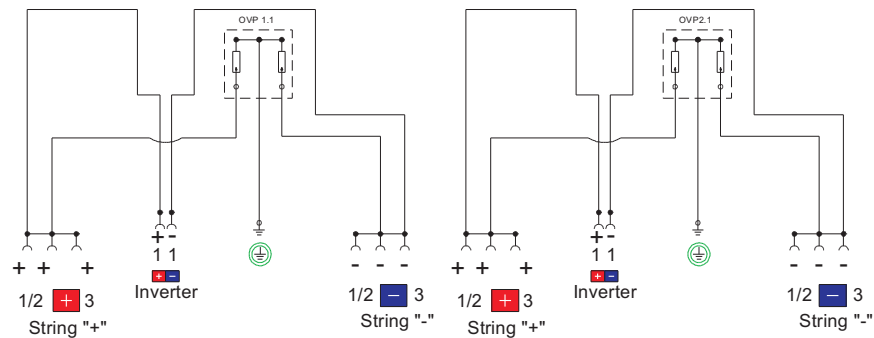
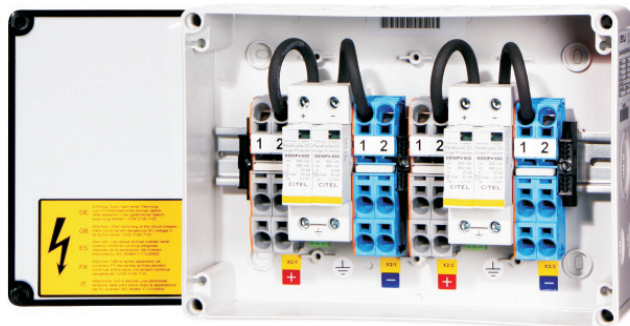


DC-combiner boxes

Typ: S-600-2x3R-X-M-PC-4.0

Artikel-Nr. 20001004

max. U _{oc}	600VDC	connection-IN	push-wire clamp 16 ²
max. U _{mpp} (U _e)	-	connection-OUT	push-wire clamp 16 ²
max. I _{sc} (string)	40A	string-fuses	-
max. I _{sc} (Σ)	40A	string-diodes	-
strings	4	string-monitor	-
Multi-MPP	2	enclosure	IP65; polycarbonate
circuit-breaker	-	dimension (WxHxD)	254x180x111 mm
overvoltage protection	C	cable entry	DIN-cable glands
protection class	II, protection insulation		



enwi-etec GmbH

Scherrwies 2
84329 Rogglfing
Germany

Phone +49 8725 9664-0
Fax +49 8725 9664-96
info@enwi-etec.com
www.enwi-etec.com

Branch Office France

58 Avenue de Wagram
75017 Paris
France

Phone +33 786 638126
Fax +33 957 257249
info@enwi-etec.com
www.enwi-etec.com

engineering with innovations

